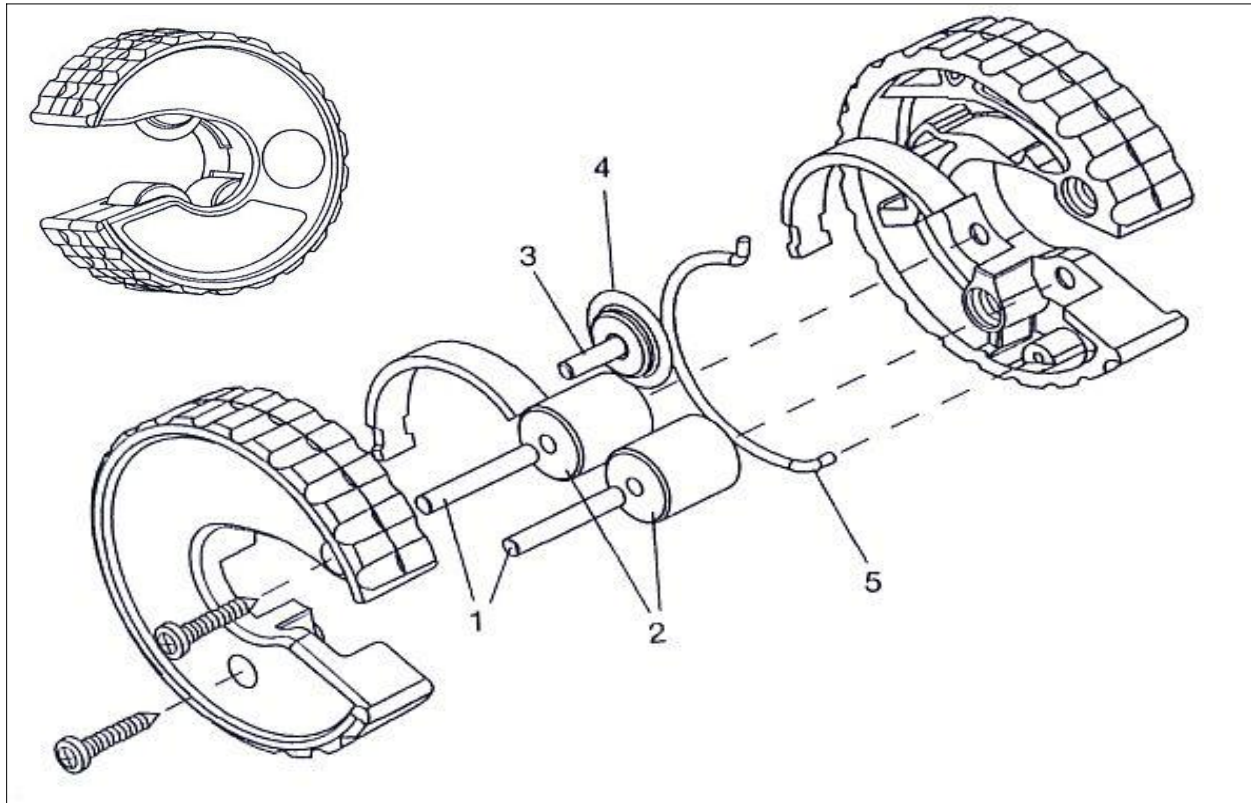


# "C" Cutter Parts Diagram



Item Number	Part Number	Description
<b>5690</b>	<b>1/2" (15.9mm)</b>	
1	277138	Roller Pin
2	277140	Roller
3	277139	Wheel Pin
4	8046	Cutter Wheel
5	277143	Spring
<b>5691</b>	<b>3/4" (22.2mm)</b>	
1	277138	Roller Pin
2	277141	Roller
3	277139	Wheel Pin
4	8046	Cutter Wheel
5	277144	Spring
<b>5692</b>	<b>1" (28.6mm)</b>	
1	277138	Roller Pin
2	277142	Roller
6	277139	Wheel Pin
4	8046	Cutter Wheel
5	277145	Spring